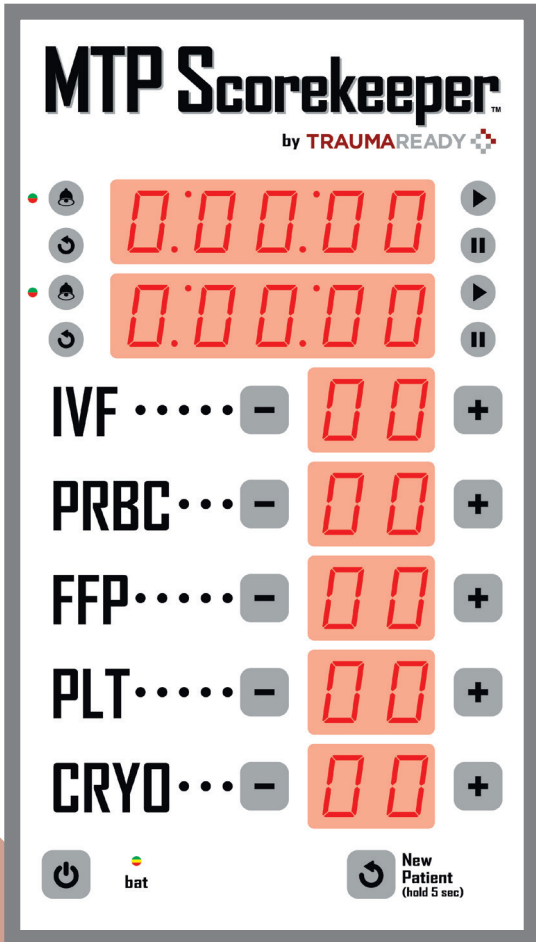
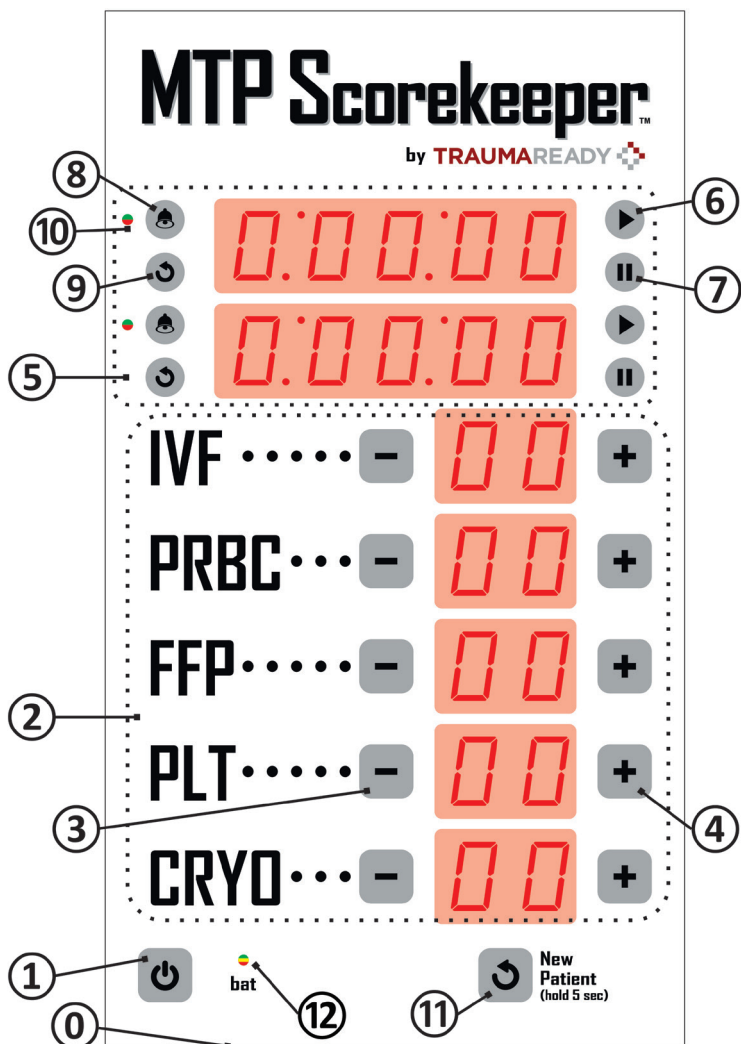


OWNER'S MANUAL



Trauma Ready, Inc.
435 Devon Park Drive
Building 500
Wayne, PA 19087





System Components

① **POWER CORD** – The MTP Scorekeeper is shipped with an IEC power cord that plugs into the bottom of the unit.

① **POWER** – The MTP Scorekeeper has two power modes: ON and STANDBY. The MTP Scorekeeper ships in STANDBY, to turn ON press POWER button. Upon entering ON mode all LED segments and indicators will illuminate for 2 seconds then display their previously stored values. To place MTP Scorekeeper into STANDBY, press and hold POWER button for 5 seconds. In STANDBY, All LED segments will turn off, all buttons are disabled, and the current value of each COUNTER and TIMER is stored.

② **COUNTER** – The MTP Scorekeeper has five counters. When in *ON* mode, each counter can be adjusted within the range of 00 and 99 using ③ **INCREMENT** or ④ **DECREMENT**. Blood constituents abbreviated on the MTP Scorekeeper are:

IVF - Crystalloid Intravenous Fluid
PRBC - Packed Red Blood Cells
FFP - Fresh Frozen Plasma
PLT - Platelets
CRYO - Cryoprecipitate

⑤ **TIMER** – The MTP Scorekeeper has two timers. When in *ON* mode, the timer can be controlled using ⑥ **START**, ⑦ **PAUSE**, and ⑧ **RESET**. Each timer is equipped with an optional chime feature that will sound on every 10:00 minute increment. The ⑨ **CHIME** button toggles whether the chime will sound. If the ⑩ **CHIME INDICATOR** is green the chime will sound, if ⑩ **CHIME INDICATOR** is red the chime is off.

⑪ **NEW PATIENT** – The MTP Scorekeeper features an easy way to reset all counters and timers to zero by pressing and holding the **NEW PATIENT** button for 5 seconds. Chime options remain in the same state used during the previous patient.

⑫ **BAT** – The **BAT** LED indicator indicates the power source of the system and battery status. A continuously lit **BAT** LED indicates the system is operating on AC power while the color of the LED indicates battery state of charging: red = low charge; yellow = medium charge; green = full charge. A blinking **BAT** LED indicates the system is operating on battery power while the color of the LED indicates battery level remaining: red = low charge; yellow - medium charge; green = full charge.

Cleaning Instructions

The MTP Scorekeeper may be wiped down with between patients using hospital grade disinfectants. Optionally, the MTP Scorekeeper may be covered with single use hospital barriers without affecting unit operation or warranty.

Maintenance

The MTP Scorekeeper does not contain field serviceable parts. For battery replacement and unit repairs contact TraumaReady.

Disposal

The MTP Scorekeeper contains rechargeable batteries. If you want to dispose this product, do not mix with general waste. Please contact your local municipality for more information.

Warning

No modification of this device is allowed. MTP Scorekeeper is not an automated device. TraumaReady is not held liable for deaths that may occurs during use of device due to operator error.

Information of Standard

IEC60601-X compliant

IP65 rated enclosure

This product complies with IEC instructions (Medical Device Directive)

Contact Us

Trauma Ready, Inc.
435 Devon Park Drive
Building 500
Wayne, PA 19087

Toll-Free Number: 888-202-0799
info@traumaready.com

www.traumaready.com

Copyright © Trauma Ready, Inc.
2019. All rights reserved.



TRAUMAREADY